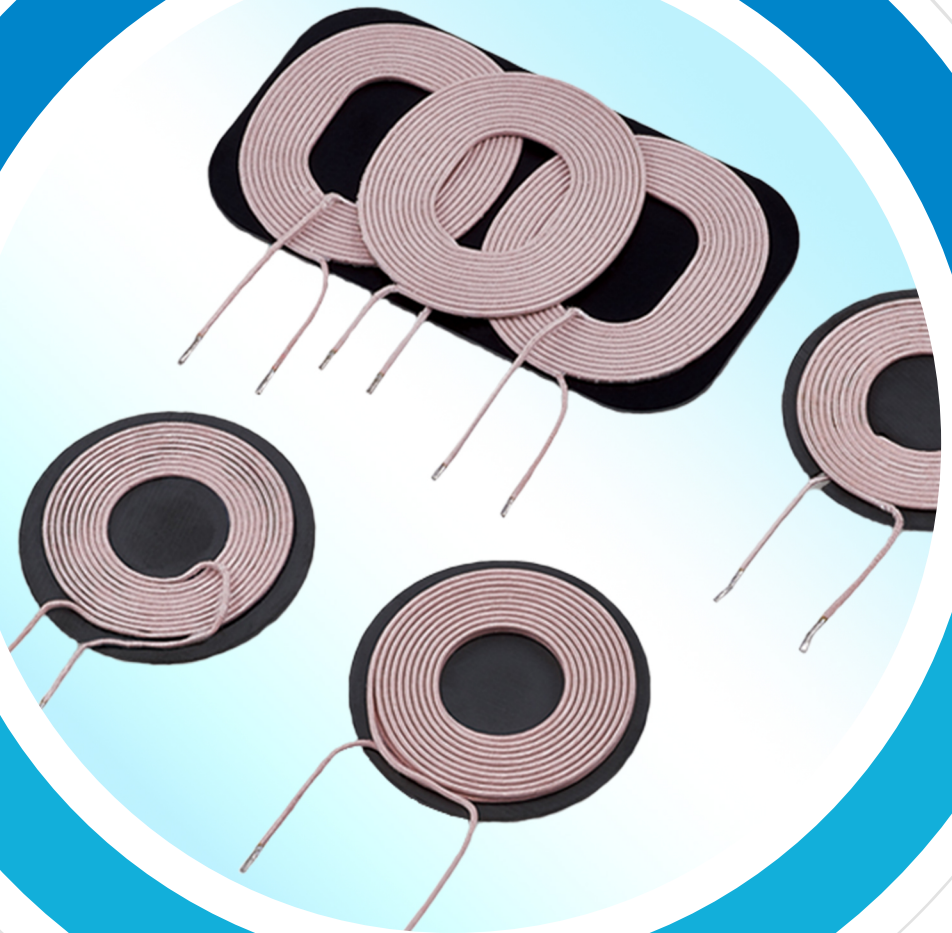
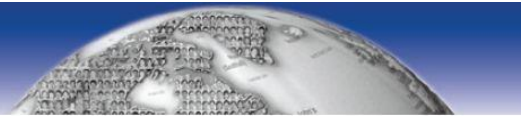


# WIRELESS CHARGING COIL

WWW.3LCOIL.COM



INDUCTOR  
SELECTION  
RECOMMENDED



## WP SERIES

Wireless Charging Coil Assembly

### Applications:

Using for transmitter and receiver module of portable electronic device such as mobile phones, tablet PC and DSCs, etc.

### Features :

- Qi standard compliance
- Size, shape, characteristics customized
- Low profile
- High mechanical intensity
- Performance had been confirmed based on WPC equipments.

### Product Identification:

WP T 535306 M - 6R3 K - A11

(1) (2) (3) (4) (5) (6) (7)

(1) Wireless Charging Coil Assembly.

(2) Location: **T**: Transmitter **R**: Receive

(3) Dimensions: Rectangle (L x W x H): 53x53x6.0mm; Circle (R x H):53x6.0mm.

(4) Automobile special code : **M**: 125°C.

(5) Inductance: 6R3 for 6.3uH.

(6) Inductance tolerance: **J**: ± 5%. **K**: ± 10%.

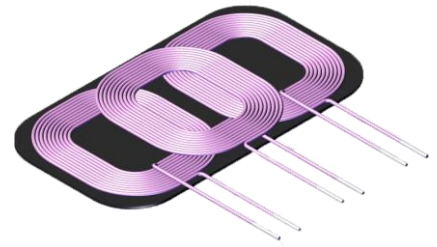
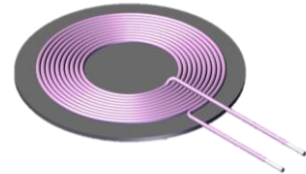
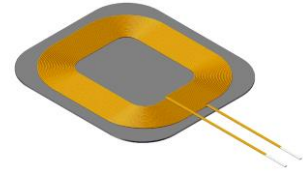
(7) Qi standard code or other.

### Characteristics:

- Operating Temp.: -20°C to 85°C (Common)  
-40°C to 125°C (Automobile)

### Test equipment :

- L: Agilent E4284A WITH HP16047E TEST FIXTURE  
Agilent E4285A WITH HP16047E TEST FIXTURE  
Agilent E4980A Precision LCR Meter
- DCR: Milli-ohm meter
- Electrical specifications at 25°C



### Customized product presentation

· We can customize wireless charging coil according to Qi standard or your requirements. Please refer to the following feature ranges:

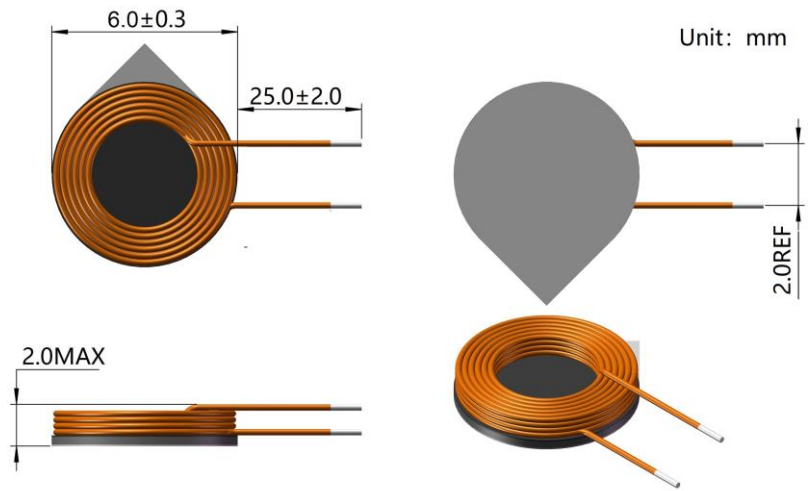
Inductance Range	DC Resistance Range	Dimensions Range	Thickness Range
uH	mΩ	mm	mm
1-100	10-1000	6-200	1.2-10

· Conformity to RoHS Directive: This means that, in conformity with EU Directive 2002/95/EC, lead, cadmium, mercury, hexavalent chromium, and specific bromine-based flame retardants, PBB and PBDE, have not been used, except for exempted applications.



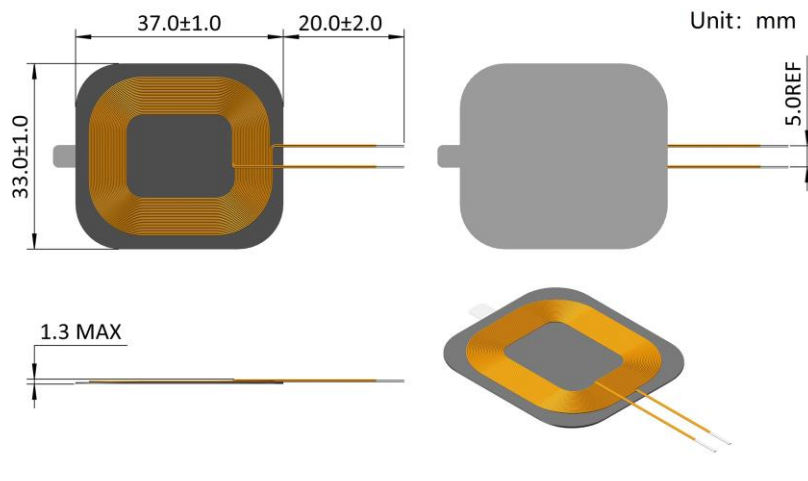
**P/N: WPR0620-7R2K-216**

Structure size (mm)	6.0X2.0
L (uH)	7.2+-10%
Test Freq.	@125kHz 0.25V
DCR (mΩ)	440 MAX
I rms	0.5A
I sat	1.0A



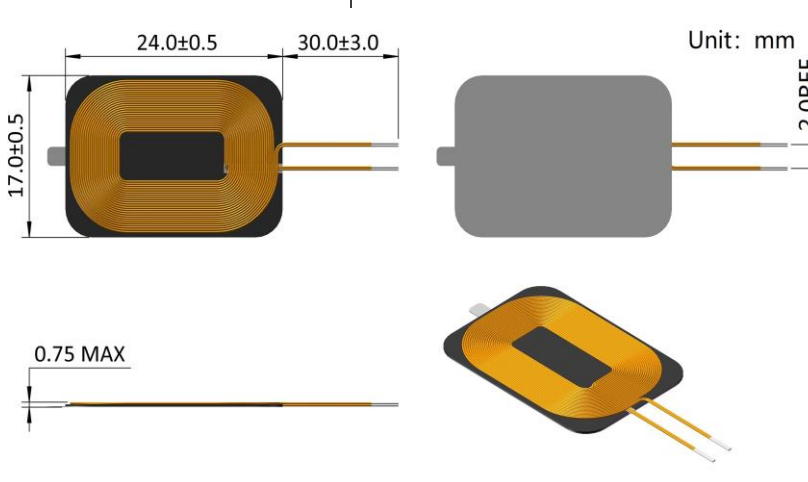
**P/N: WPR373315-100K**

Structure size (mm)	37X33X1.3
L (uH)	10+-10%
Test Freq.	@1MHz 0.25V
DCR (mΩ)	220 MAX
I rms	1.8A
I sat	4.0A



**P/N: WPR2417007-3R6UH**

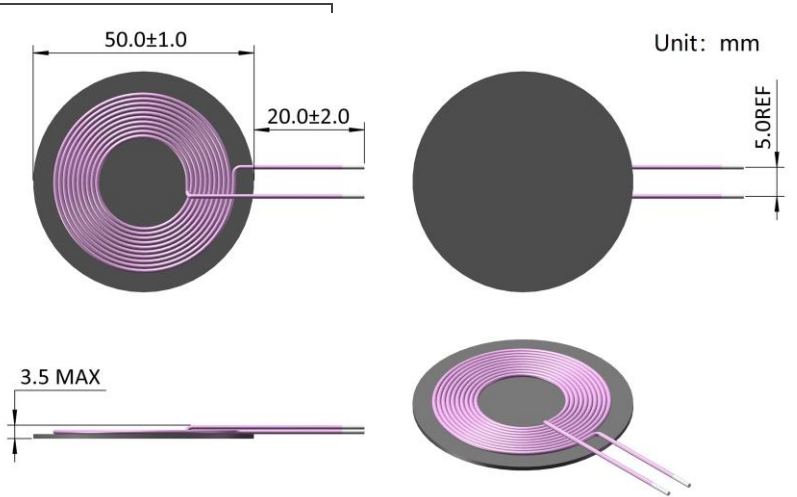
Structure size (mm)	24X17X0.7
L (uH)	3.6+-8%
Test Freq.	@13.56MHz 1.0V
DCR (mΩ)	165 MAX
I rms	1.8A
I sat	3.0A





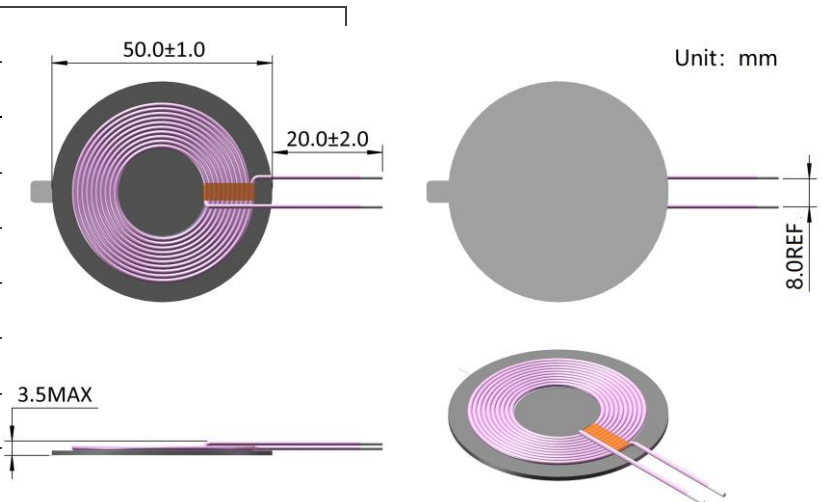
**P/N: WPT5003-6R3-A11**

Structure size (mm)	50.0X3.0
L (uH)	6.3+-10%
Test Freq.	@100kHz 1.0V
DCR (mΩ)	40 MAX
I rms	6.0A
I sat	10.0A



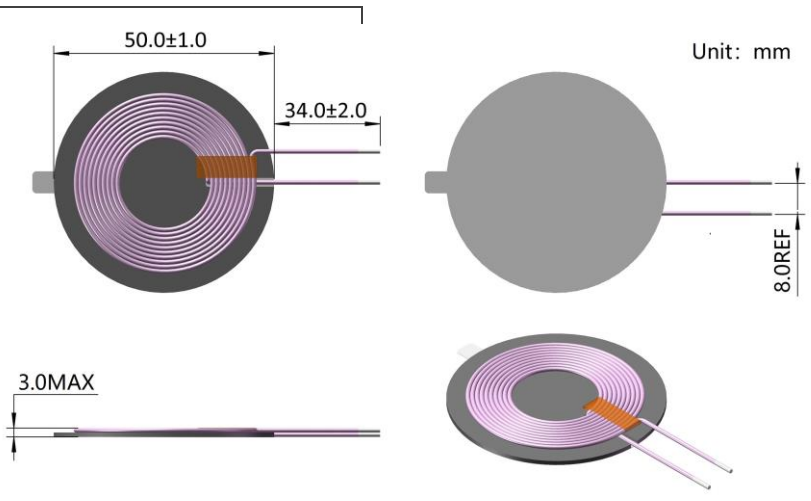
**P/N: WPT5003-6R3-A11-D2**

Structure size (mm)	50.0X3.0
L (uH)	6.3+-10%
Test Freq.	@100kHz 1.0V
DCR (mΩ)	40 MAX
I rms	6.0A
I sat	10.0A



**P/N: WPT5002W-6R3K-A11B**

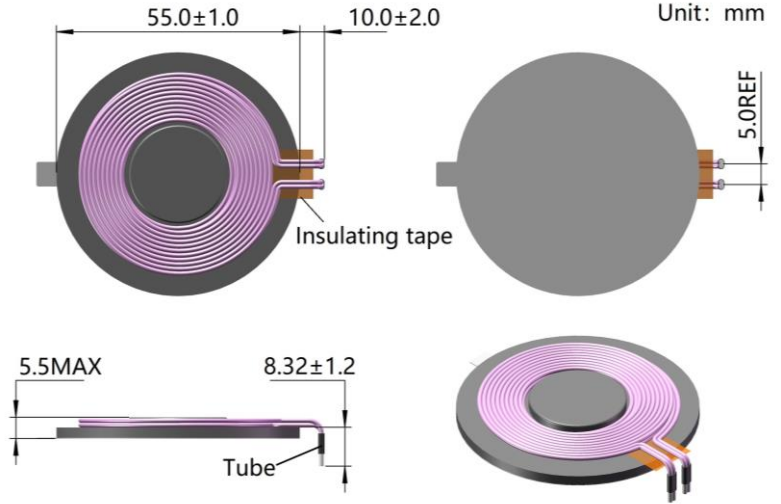
Structure size (mm)	50.0X3.0
L (uH)	6.3+-10%
Test Freq.	@100kHz 1.0V
DCR (mΩ)	40 MAX
I rms	6.0A
I sat	10.0A





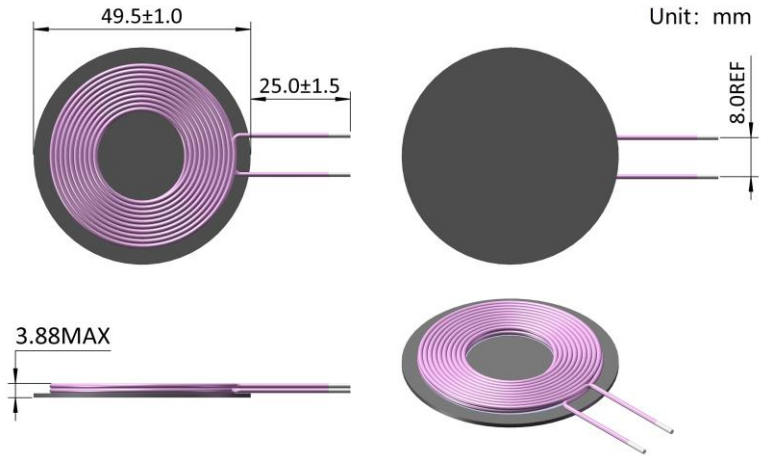
**P/N: WPT5505-6R2J**

Structure size (mm)	55.0X5.0
L (uH)	6.3+-5%
Test Freq.	@100kHz 1.0V
DCR (mΩ)	20 MAX
I rms	12.0A
I sat	15.0A



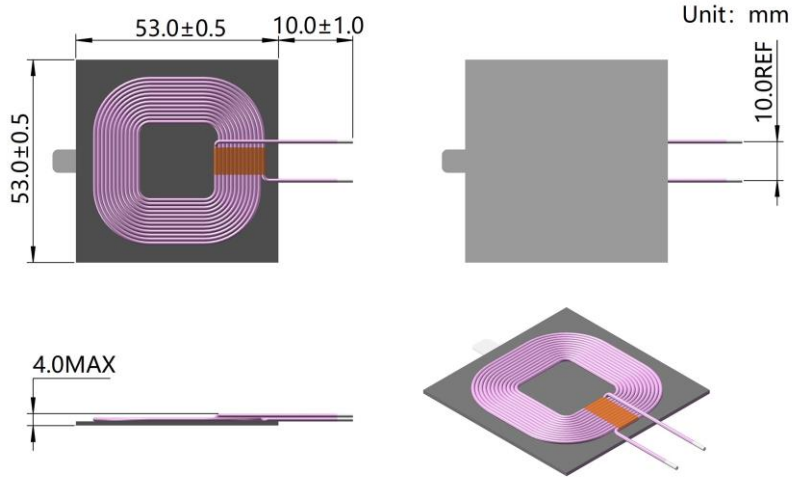
**P/N: WPT5004M-240K-A10**

Structure size (mm)	50.0X3.0
L (uH)	24.0+-10%
Test Freq.	@100kHz 1.0V
DCR (mΩ)	85 MAX
I rms	6.0A
I sat	10.0A



**P/N: WPT535340-10R0K-MPA2**

Structure size (mm)	53.0X53.0X4.0
L (uH)	10.0+-10%
Test Freq.	@100kHz 1.0V
DCR (mΩ)	60 MAX
I rms	7.0A
I sat	10.0A





**P/N: WPT524104-6R3UH**

Structure size (mm) 52.0X41X4.0

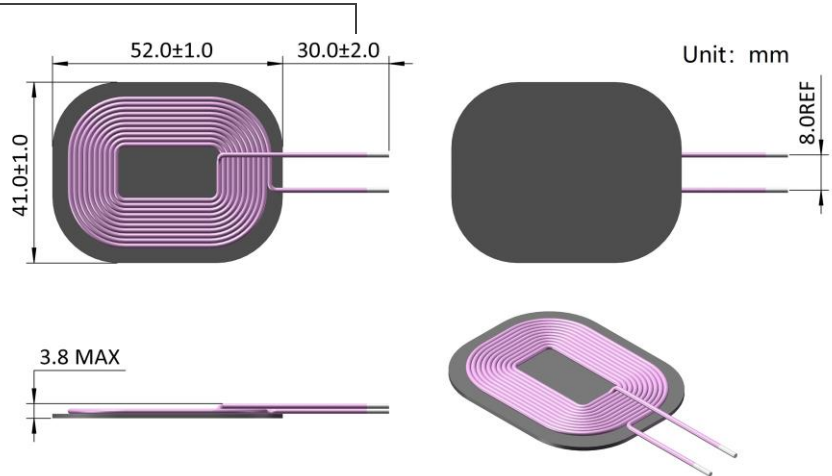
L (uH) 6.3+-10%

Test Freq. @100kHz 1.0V

DCR (mΩ) 50 MAX

I rms 6.0A

I sat 10.0A



**P/N: WPT935203-7R0K-A28H**

Structure size (mm) 94X52X4.0

L1,2 (uH) 7.0+-10%

L3 (uH) 6.5+-10%

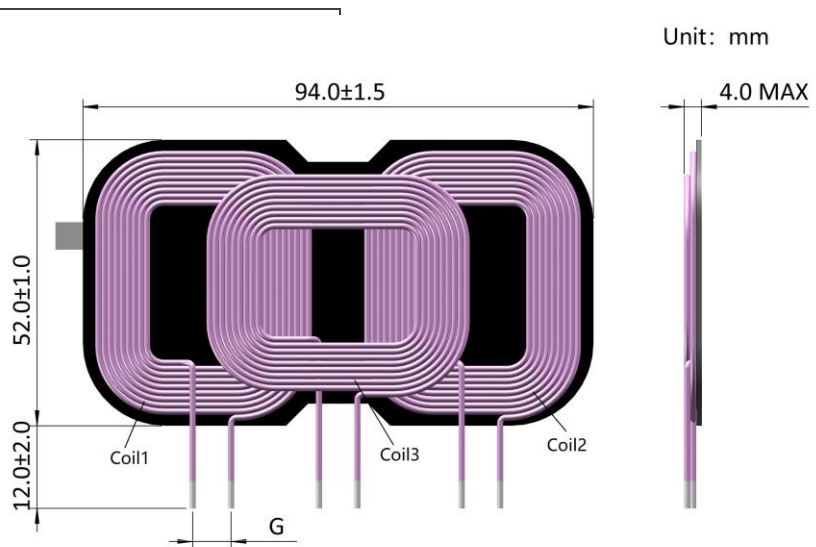
Test Freq. @100kHz 1.0V

DCR1,2 (mΩ) 45 MAX

DCR3 (mΩ) 45 MAX

I rms 9.0A

I sat 12.0A



**P/N: WPT1005504-12R5K-A13**

Structure size (mm) 100X55X4.0

L1,3 (uH) 12.5 +-10%

L3 (uH) 11.5+-10%

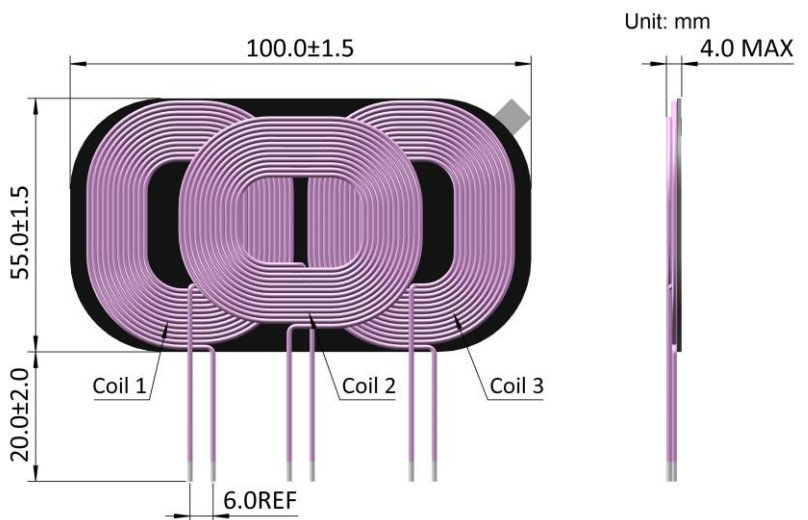
Test Freq. @100kHz 1.0V

DCR1,2 (mΩ) 65 MAX

DCR3 (mΩ) 65 MAX

I rms 7.0A

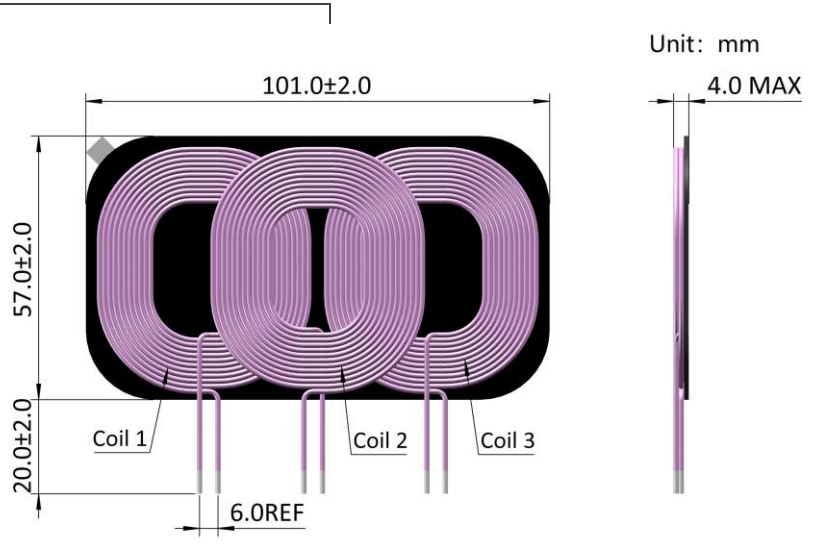
I sat 10.0A





**P/N: WPT1015704-10R2K-A9**

Structure size (mm)	101X57X4.0
L1,3 (uH)	9.8 +-10%
L2 (uH)	10.2+-10%
Test Freq.	@100kHz 1.0V
DCR1,3 (mΩ)	60 MAX
DCR3 (mΩ)	65 MAX
I rms	8.0A
I sat	10.0A



**P/N: WPT1015704-10R2K-A9T2**

Structure size (mm)	100X57X4.0
L1,3 (uH)	9.8 +-10%
L2 (uH)	10.2+-10%
Test Freq.	@100kHz 1.0V
DCR1,3 (mΩ)	60 MAX
DCR3 (mΩ)	65 MAX
I rms	8.0A
I sat	10.0A

